

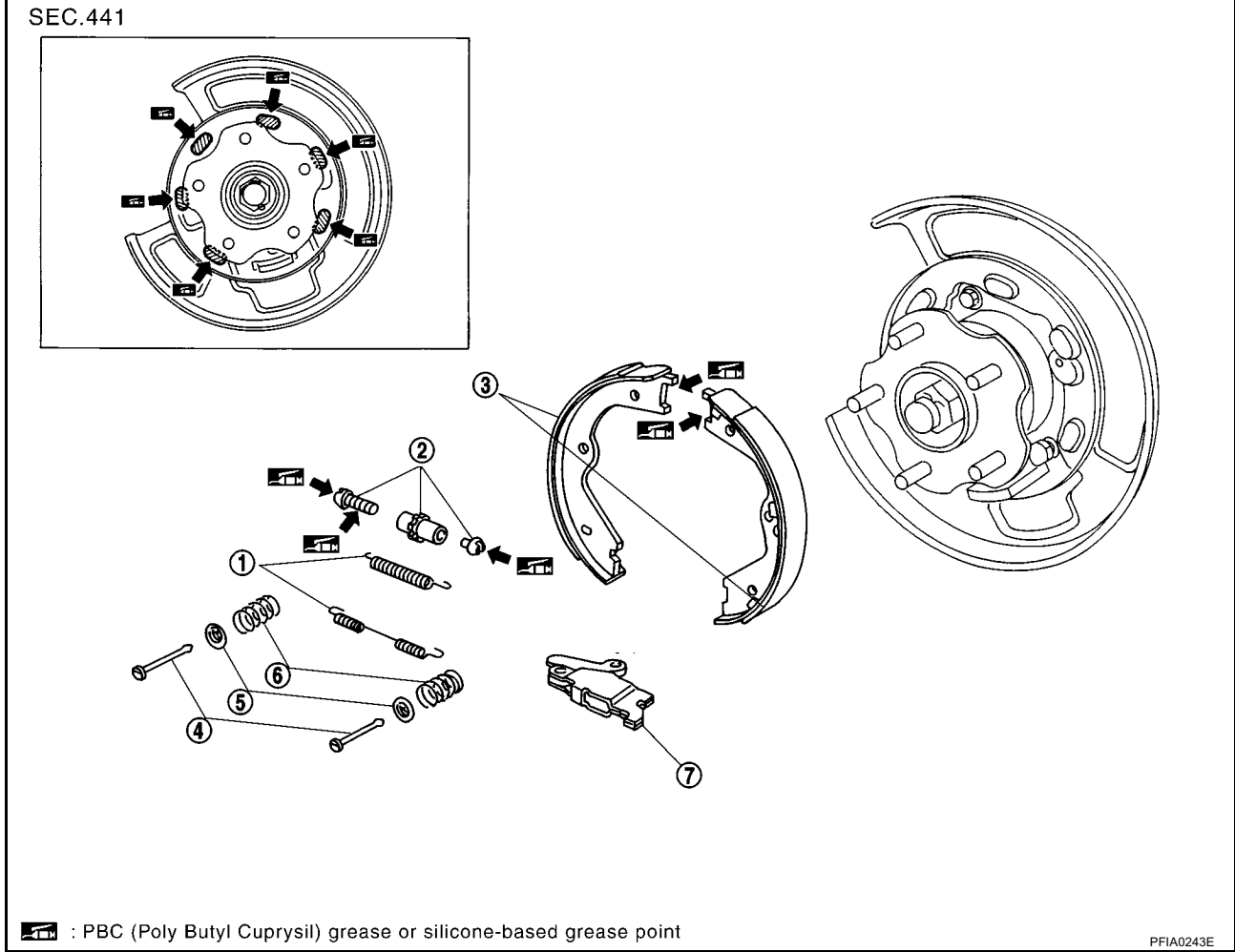
# PARKING BRAKE SHOE

PFPA:44060

## PARKING BRAKE SHOE

### Components

AFS000V0



: PBC (Poly Butyl Cuprysil) grease or silicone-based grease point

- |                    |                      |                       |
|--------------------|----------------------|-----------------------|
| 1. Return spring   | 2. Adjuster assembly | 3. Shoe               |
| 4. Anti-rattle pin | 5. Retainer          | 6. Anti-rattle spring |
| 7. Toggle lever    |                      |                       |

## Removal and Installation

### REMOVAL

AFS0010M

#### CAUTION:

Clean dust on the disc and back plate with a vacuum dust collector. Do not blow with compressed air. Be careful of the following:

- Remove the disc rotor only with the parking brake lever completely in the returned position.
  - If disc rotor cannot be removed, remove as follows:
1. Fix the disc rotor in place with wheel nuts and remove disc rotor plug. Using a screwdriver, rotate star wheel on the adjuster assembly in direction B to retract and loosen brake shoes.

