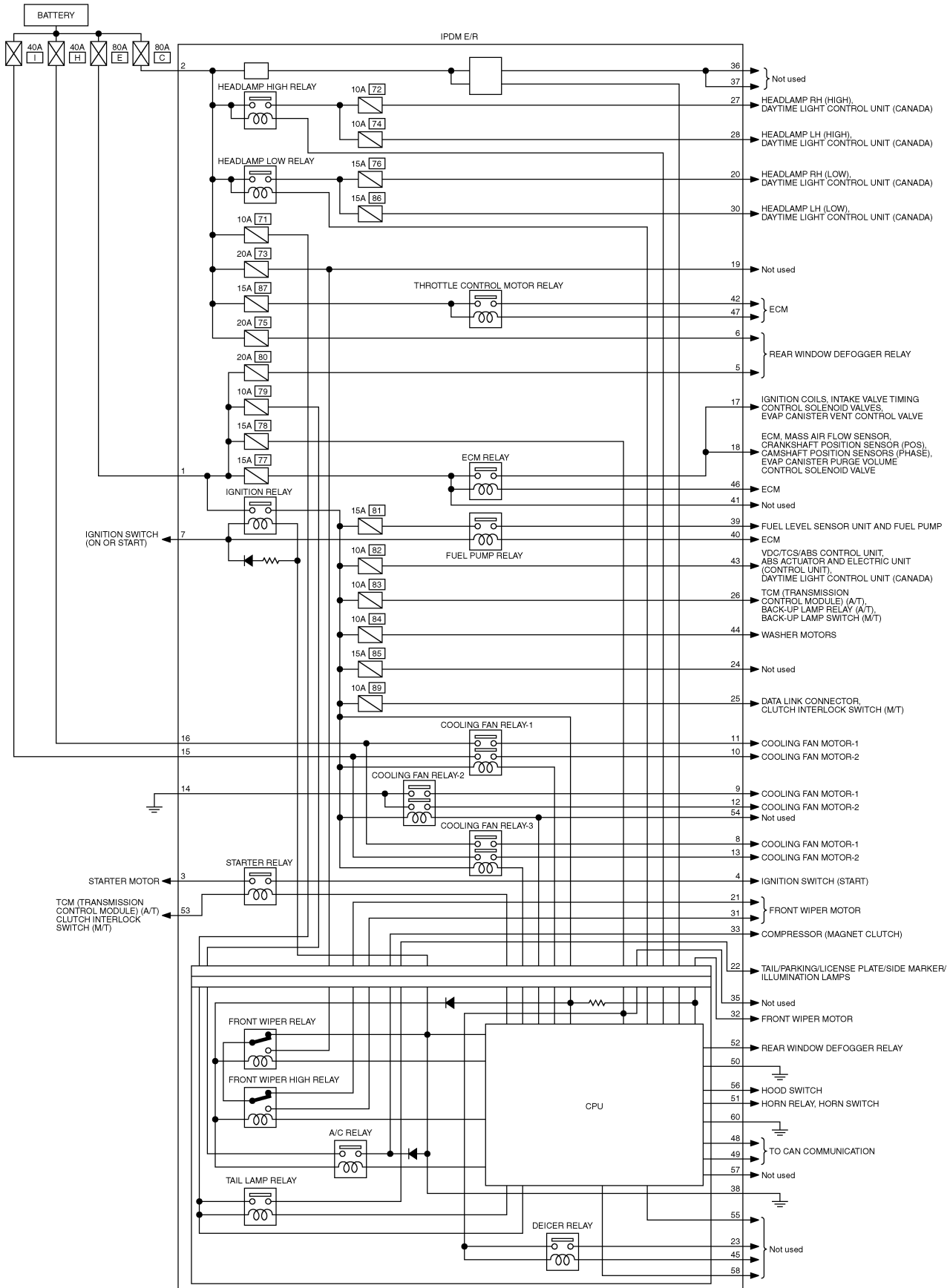


IPDM E/R (INTELLIGENT POWER DISTRIBUTION MODULE ENGINE ROOM)

Schematic

AKS00A2N

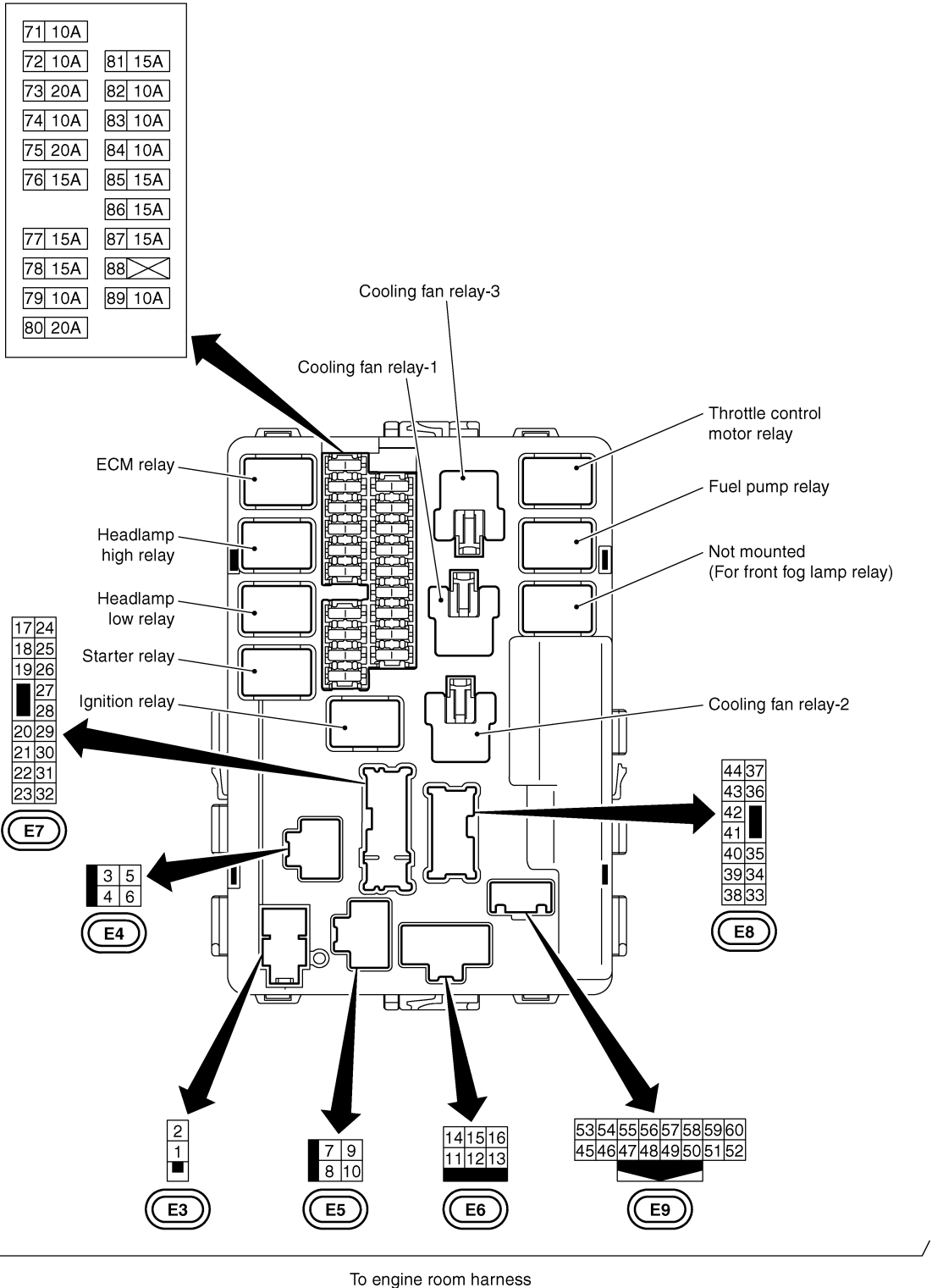


TKWT2351E

IPDM E/R Terminal Arrangement

AKS00A20

A
B
C
D
E
F
G
H
I
J
PG
L
M



To engine room harness

CKIT0537E