

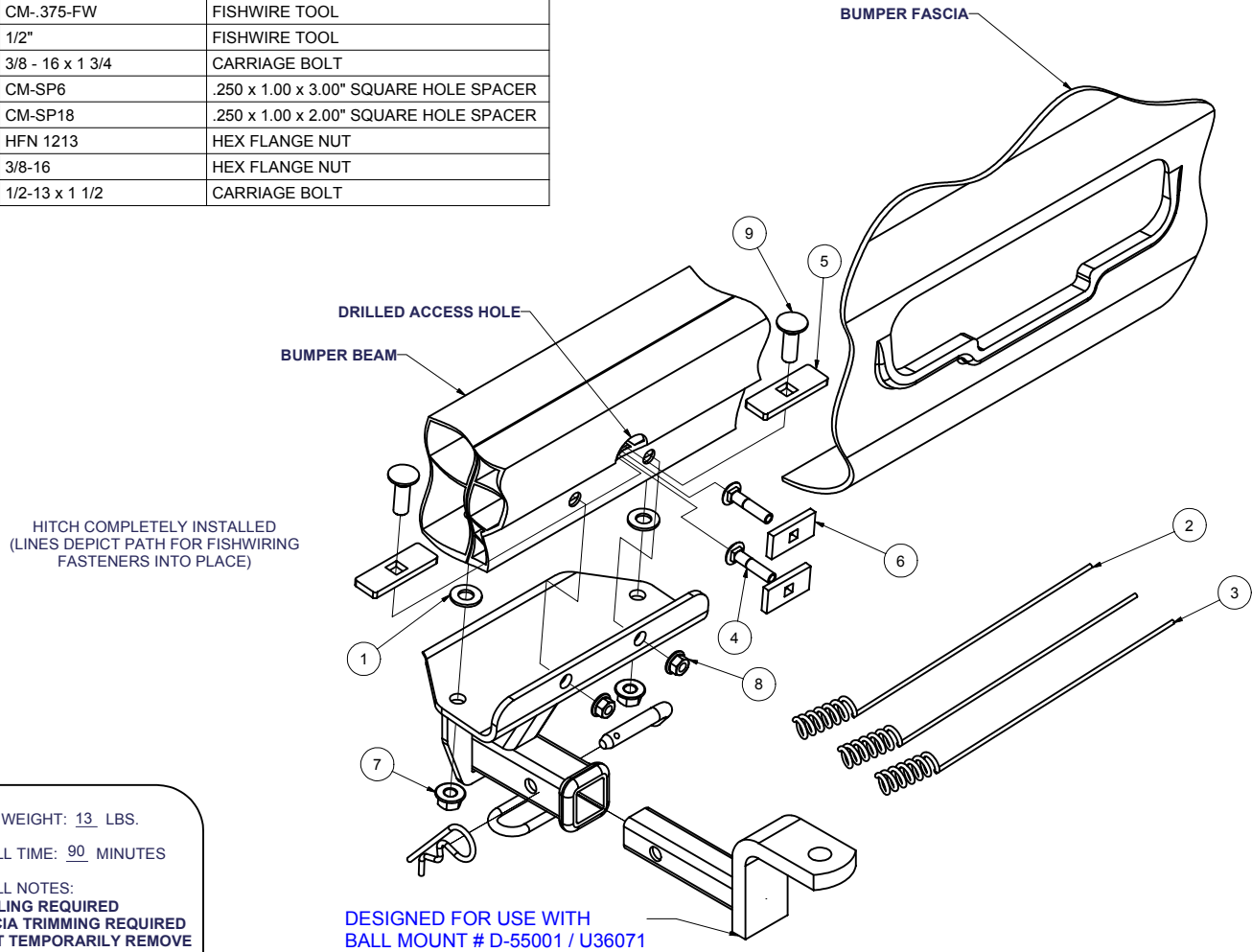
11483 / 247483 /

INFINITI G35 / NISSAN 350Z

6/29/07

GROSS LOAD CAPACITY WHEN USED AS A WEIGHT CARRYING HITCH: 1500 LBS. TRAILER WEIGHT & 150 LBS. TONGUE WEIGHT.
*****DO NOT EXCEED VEHICLE MANUFACTURER'S RECOMMENDED TOWING CAPACITY.*****

Parts List			
ITEM	QTY	PART NUMBER	DESCRIPTION
1	2	1/2"	WASHER
2	2	CM-.375-FW	FISHWIRE TOOL
3	1	1/2"	FISHWIRE TOOL
4	2	3/8 - 16 x 1 3/4	CARRIAGE BOLT
5	2	CM-SP6	.250 x 1.00 x 3.00" SQUARE HOLE SPACER
6	2	CM-SP18	.250 x 1.00 x 2.00" SQUARE HOLE SPACER
7	2	HFN 1213	HEX FLANGE NUT
8	2	3/8-16	HEX FLANGE NUT
9	2	1/2-13 x 1 1/2	CARRIAGE BOLT



HITCH WEIGHT: 13 LBS.

INSTALL TIME: 90 MINUTES

INSTALL NOTES:
 - DRILLING REQUIRED
 - FASCIA TRIMMING REQUIRED
 - MUST TEMPORARILY REMOVE LICENSE PLATE

INSTALLATION STEPS

- 1) Remove (2) lower fascia tabs and license plate. (Reuse later)
- 2) Layout a 2 1/4" x 2 1/4" square in center of lower bumper fascia and vehicle. Cut out with dremel or equivalent tool.
- 3) Drill a 1 1/2" access hole in bumper beam behind license plate. (Must be as close to ridge on bumper beam as possible with starter bit.) Must drill through (3) layers of aluminum as shown.
- 4) Raise hitch into position, mark, and center punch (2) lower holes, drill holes for 1/2" bolts.
- 5) Using the 1/2" fishwire, install 1/2" bolts and spacers through access hole and out bottom of bumper as shown.
- 6) Lift hitch into position, sandwiching washer between bumper beam and hitch. Secure with flange nuts, finger tighten.
- 7) Mark and drill remaining holes for 3/8" bolts. Fishwire 3/8" bolts and spacers through access hole and out rear of bumper as shown, secure with flange nuts.
- 8) Torque 1/2" fasteners to 75 ft-lbs and 3/8" fasteners to 30 ft-lbs.
- 9) Reinstall lower fascia tabs and license plate removed in step (1)

PERIODICALLY CHECK THIS RECEIVER HITCH TO ENSURE THAT ALL FASTENERS ARE TIGHT AND THAT ALL STRUCTURAL COMPONENTS ARE SOUND.

Curt Manufacturing Inc., warrants this product to be free of defects in material and/or workmanship at the time of retail purchase by the original purchaser. If the product is found to be defective, Curt Manufacturing Inc., may repair or replace the product, at their option, when the product is returned, prepaid, with proof of purchase. Alteration to, misuse of, or improper installation of this product voids the warranty. Curt Manufacturing Inc.'s liability is limited to repair or replacement of products found to be defective, and specifically excludes liability for incidental or consequential loss or damage.