

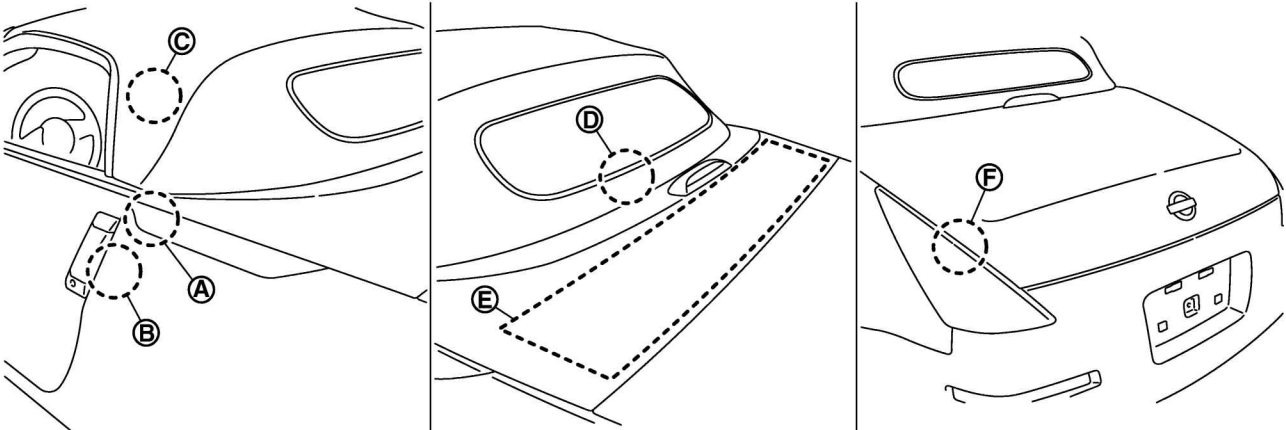
SOFT TOP

PPF:97002

SOFT TOP

Component Parts and Harness Connector Location

AIS0063T

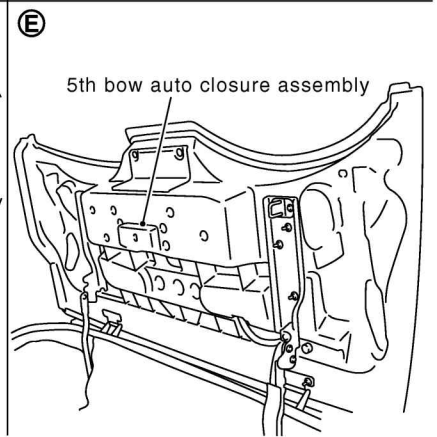
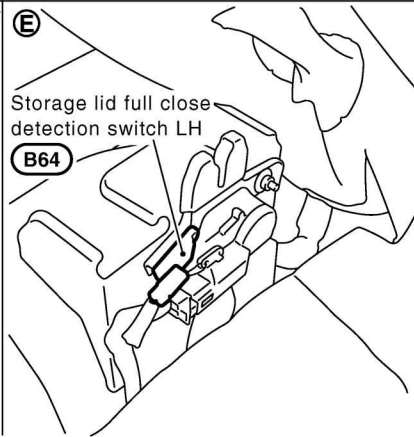
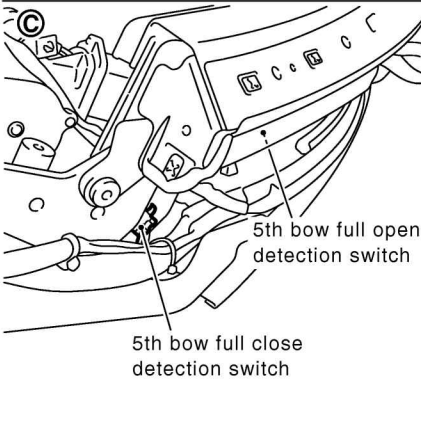
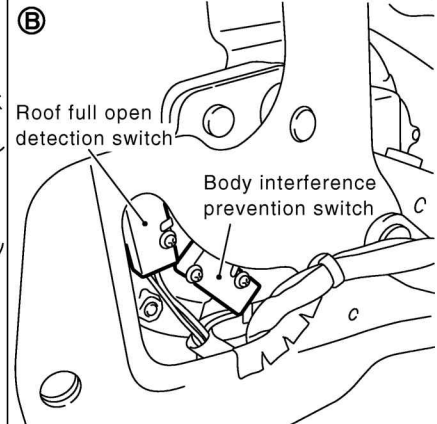
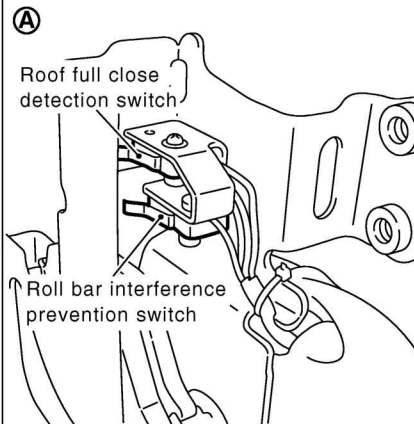
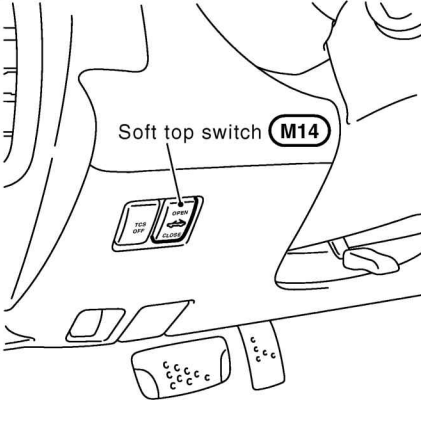
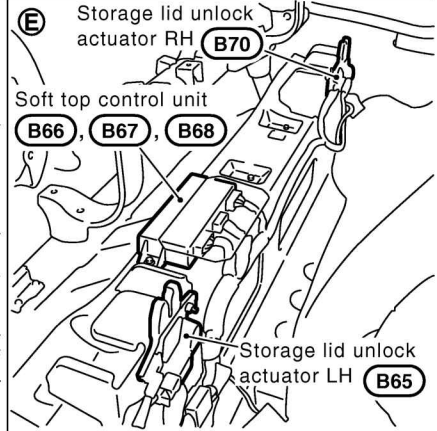
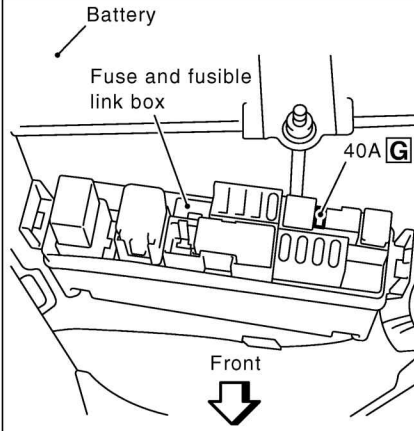


11	22
10	21
9	20
8	19
7	18
6	17
5	16
4	15
3	14
2	13
1	12

10A

10A

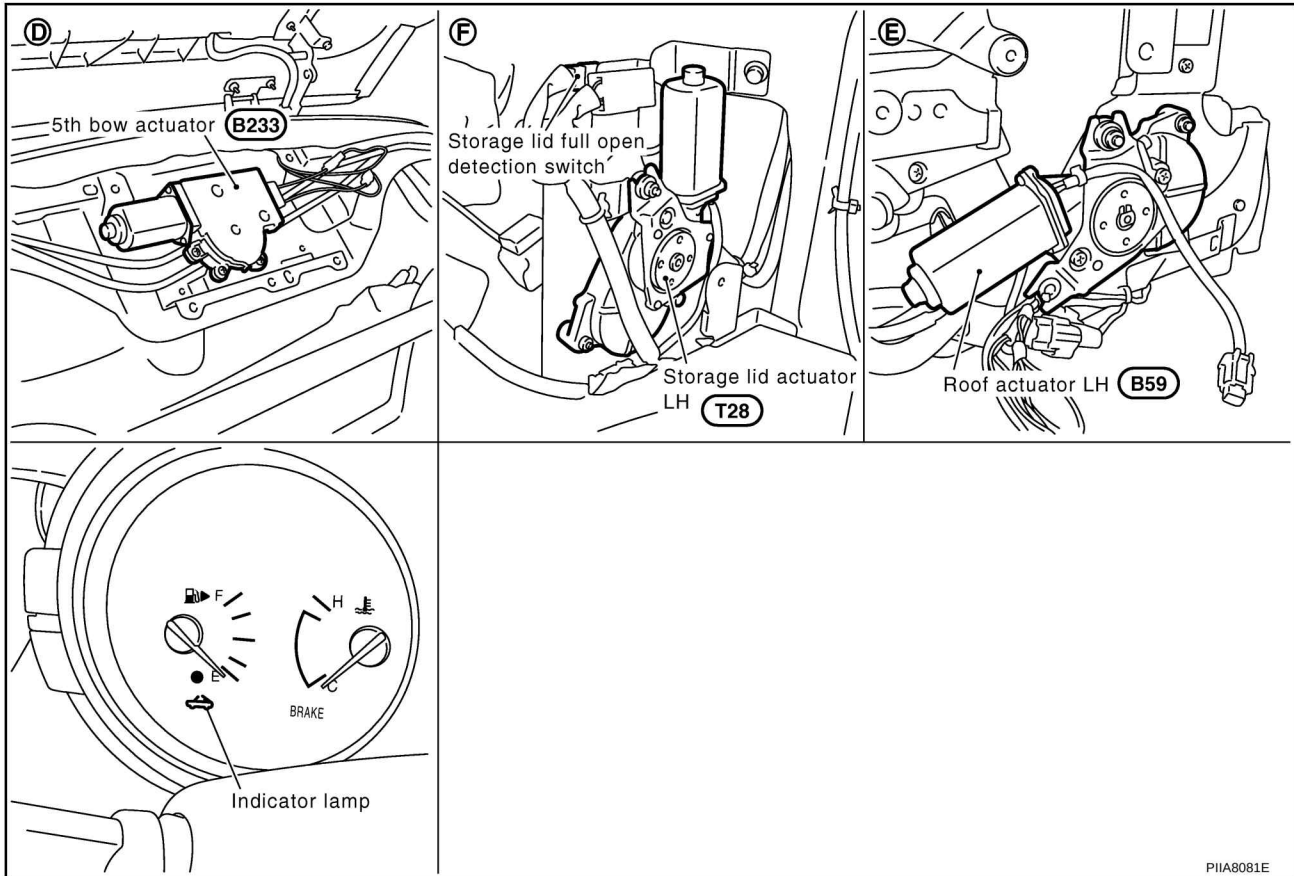
Fuse block (J/B) fuse layout



PIA8080E

A
B
C
D
E
F
G
H
RF
J
K
L
M

SOFT TOP



PIIA8081E

Following Parts Are Built Into 5th Bow Auto Closure Assembly.

- 5th bow half-latch switch built in 5th bow lock assembly in storage lid.
- 5th bow full-latch switch built in 5th bow lock assembly in storage lid.
- 5th bow ending switch built in 5th bow lock assembly in storage lid.
- 5th bow unlock actuator.
- 5th bow closure motor.

NOTE:

Always replace following switches as a 5th bow lock assembly.

- 5th bow half-latch switch
- 5th bow full-latch switch
- 5th bow ending switch.

5th bow full open detection switch and 5th bow full close detection switch are built into 5th bow switch assembly located at plate rail RR. Replace above switches as a plate rail RR.

System Description

AIS0063U

An electronic soft top open/close system has been adopted that allows the soft top to be opened or closed using the soft top switch.

The following parts operate, linked with the operation of the soft top.

- When the soft top begins to operate, the passenger seat tilts forward. When operation is completed, it returns to its original position.
(It does not move when the seat cancel switch is ON.)
- When the soft top begins to operate, both power windows activate to the fully-open position.
(They do not activate to the fully-closed position after operation is completed.)
Moreover, power window cannot be operated while soft top is operating.

When the soft top switch is released, soft top operation stops.