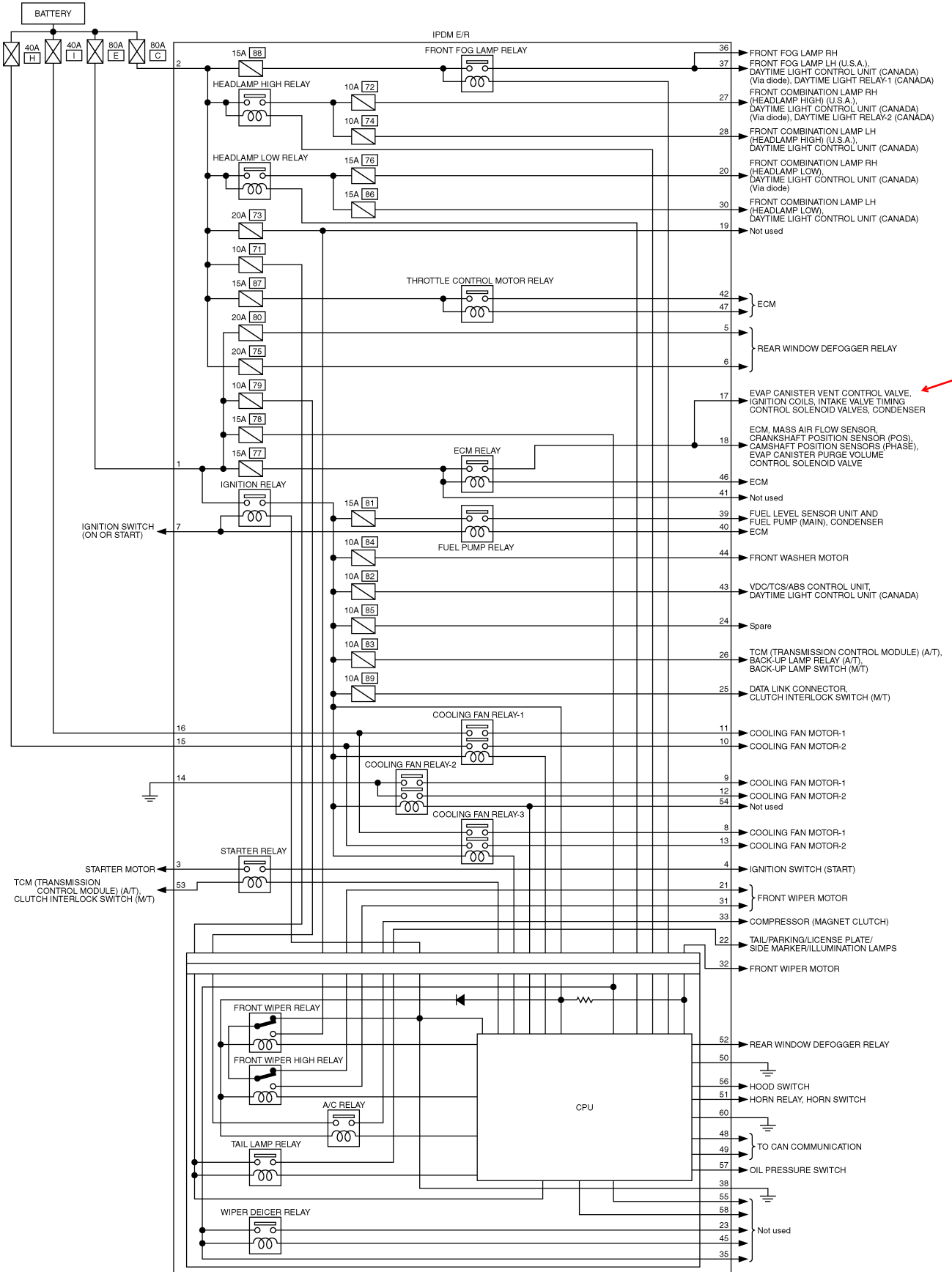


IPDM E/R (INTELLIGENT POWER DISTRIBUTION MODULE ENGINE ROOM)

Schematic

AKS00A3D

A
B
C
D
E
F
G
H
I
J
PG
L
M



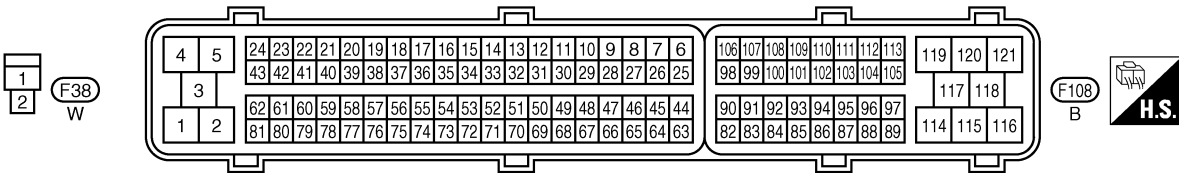
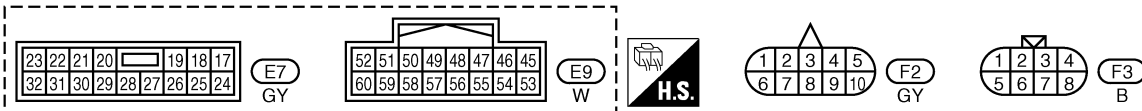
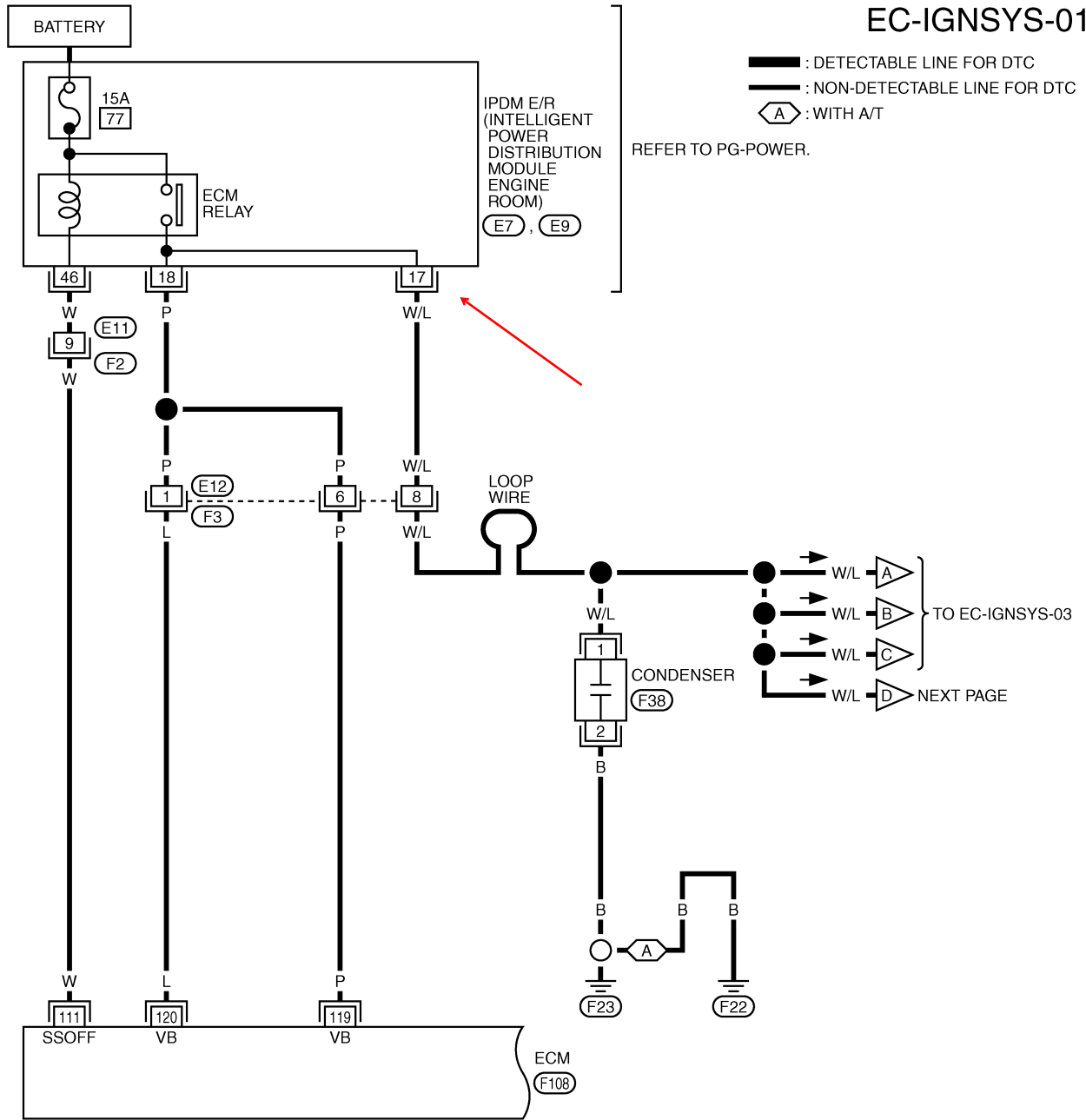
TKWM1072E

IGNITION SIGNAL

Wiring Diagram

ABS003KV

EC-IGNSYS-01



TBWM0363E