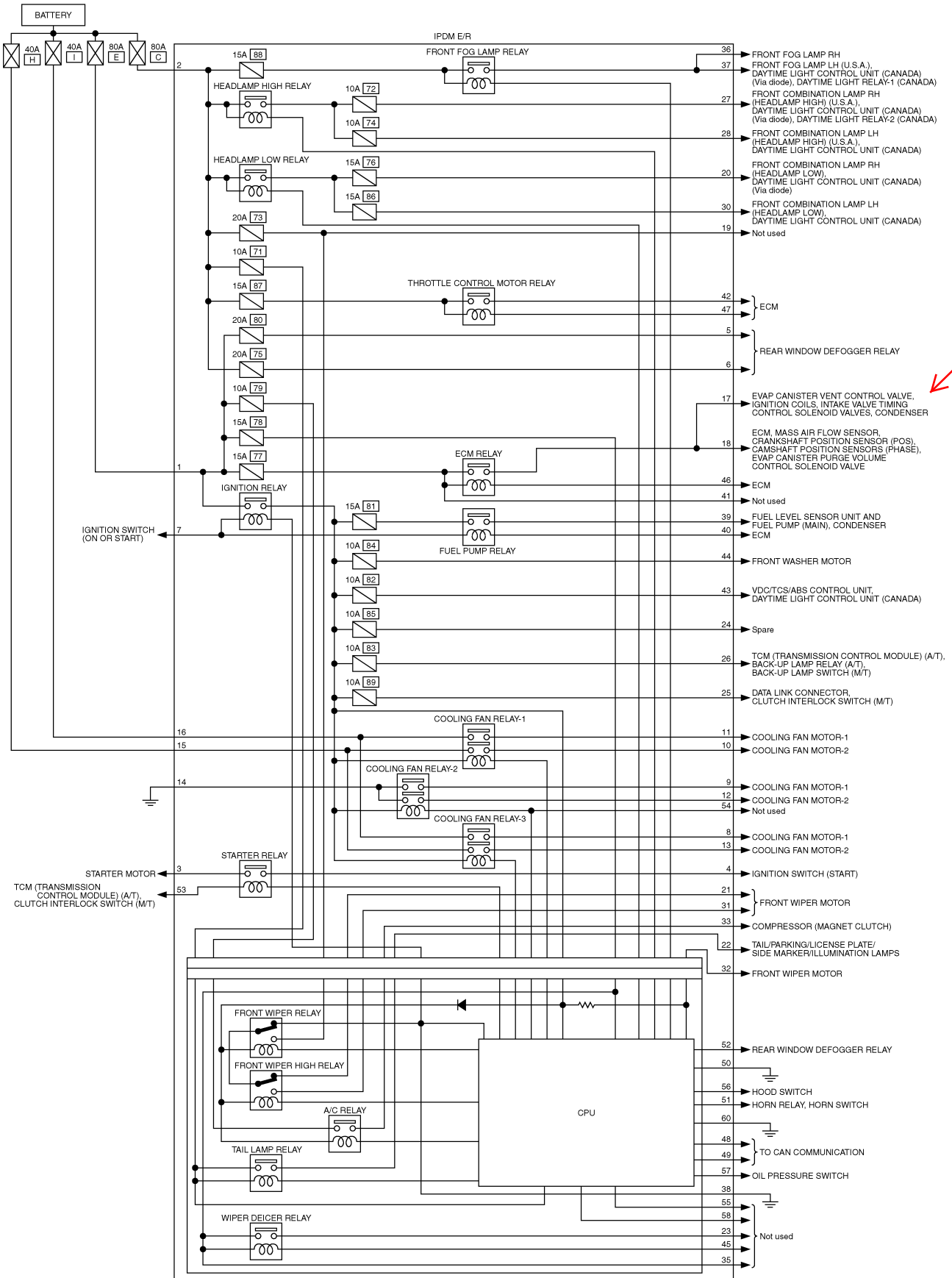


IPDM E/R (INTELLIGENT POWER DISTRIBUTION MODULE ENGINE ROOM)

Schematic

AKS00A3D

A
B
C
D
E
F
G
H
I
J
PG
L
M



TKWM1072E